



EZY SHORE V-SHAPED SHORING SYSTEM

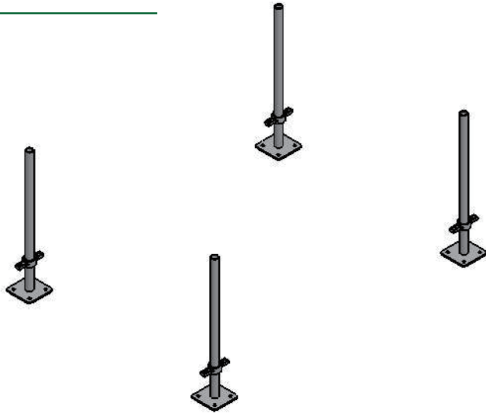
USER SAFETY MANUAL



EZY SHORE V-SHAPED SHORING SYSTEM

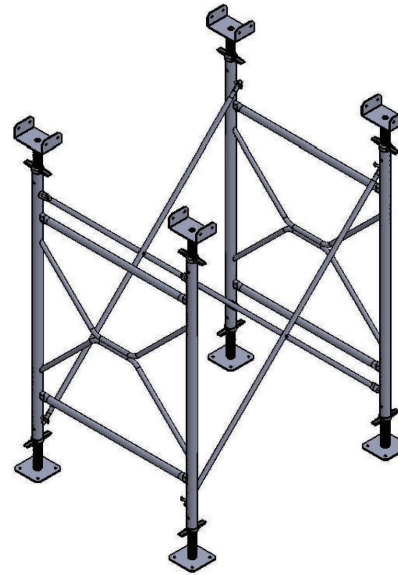
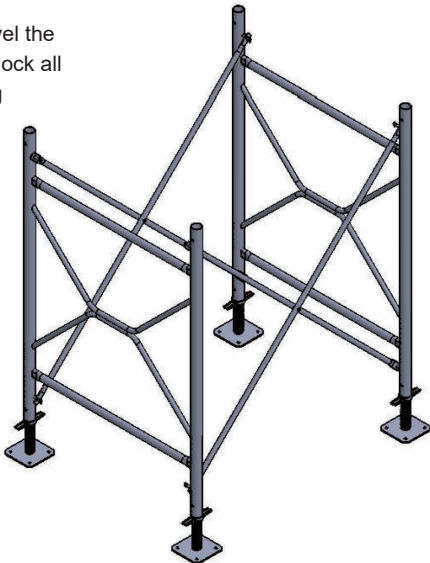
Step 1

Place 4 base jacks on the ground with certain distance, jacks extent no more than 600mm.



Step 2

Fit the frames on the jacks, level the frames & connect the braces, lock all the safety pins after connecting the braces.



Step 3

Fit U-head jacks on top of the frames, eccentricity all parallel to frames, U-head jacks extend no more than 600mm.

Step 4

Place beam in the U-head such that load is balanced over frame leg. Lap beams in U-head or turn U-head to ensure single beam is centrally located.

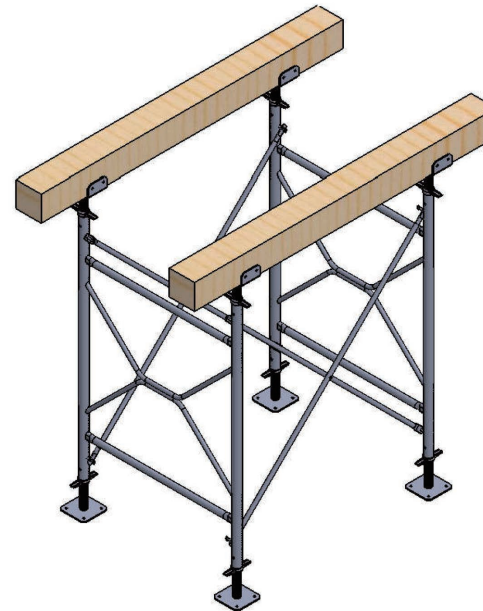
WARNING:

Do not apply eccentric loading on the U-head.

Do not offset the beam.

Prior to concrete pour-An engineer must check that formwork and concrete loads will not exceed V-frame capacity (WLL), and visually inspect and sign off on correct erection of H-frame and formwork.

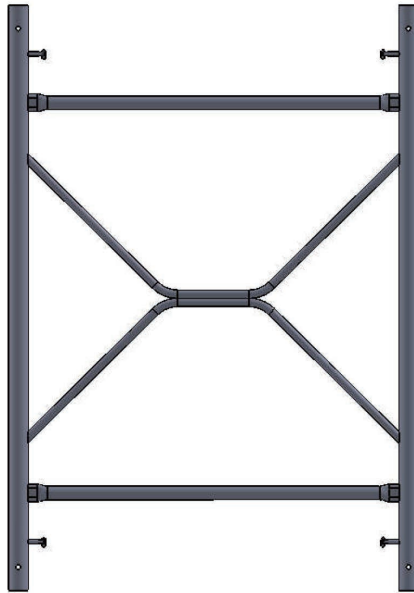
When adjusting the height of the U-head, only hit the handle, do not hit on the collar nut.



EZY SHORE V-SHAPED SHORING SYSTEM

2.1m V-frame

WLL:38KN/Leg

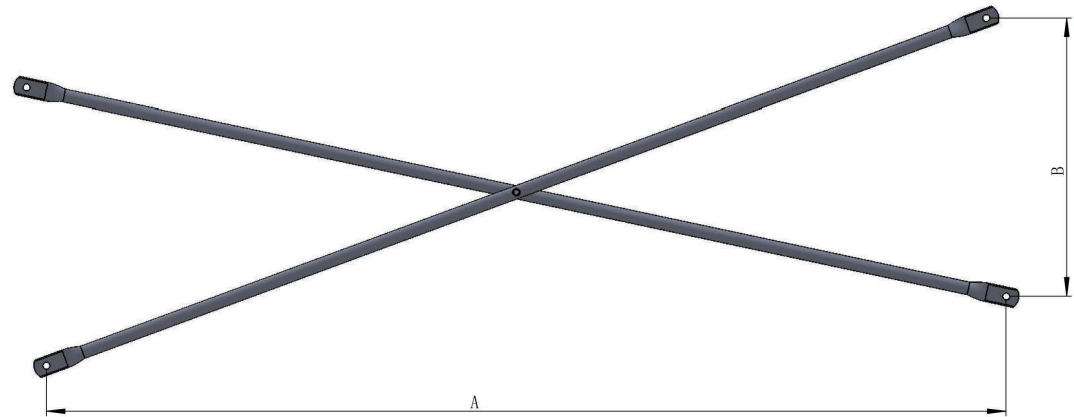


Name	Size
0.9m Frame	914mm
1.2m Frame	1219mm
1.5m Frame	1524mm
1.8m Frame	1829mm
2.1m Frame	2134mm

WARNING:

Do not using bend or damaged frame.

Brace



Span	Size				
A	1580mm	1530mm	1580mm	1530mm	1500mm
B	1524mm	1524mm	914mm	914mm	1214mm

Span	Size				
A	1200mm	1580mm	1200mm	1200mm	1200mm
B	1214mm	610mm	1524mm	914mm	610mm

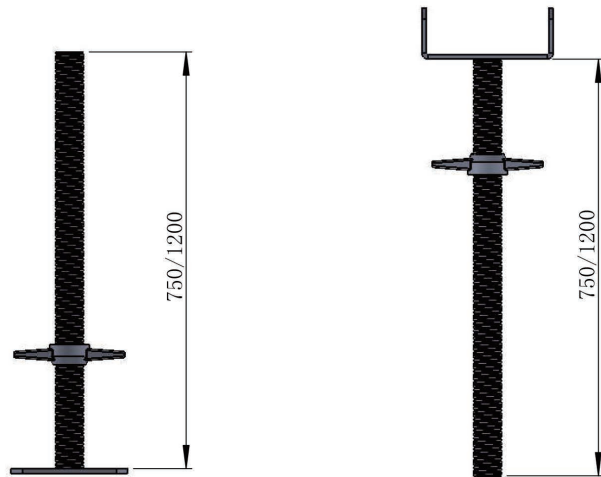
WARNING:

Do not using broken or damage brace,
only using the correct size braces to fit in the frames.

Check the nut is tight before using.

EZY SHORE V-SHAPED SHORING SYSTEM

Base Jack & U Head Jack



WARNING:

When adjusting the height of the U-head, only hit the handle, do not hit on the collar nut.

SAFETY USE:

Nut adjustment must be less than 600mm.

Connector & Locking Bolt

