



EZY SHORE H-SHAPED SHORING SYSTEM

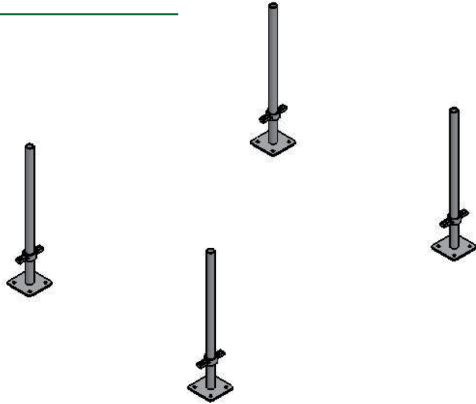
USER SAFETY MANUAL



EZY SHORE H-SHAPED SHORING SYSTEM

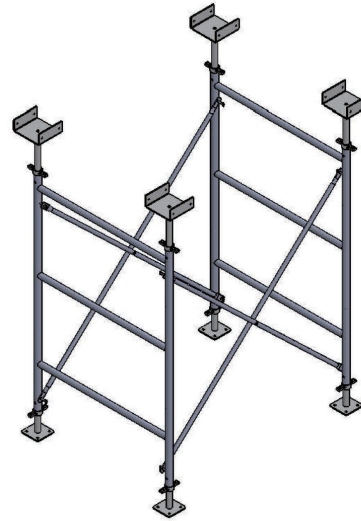
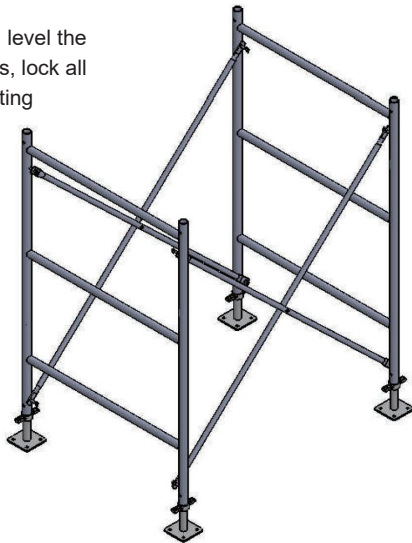
Step 1

Place 4 base jacks on the ground with certain distance, jacks extent no more than 600mm.



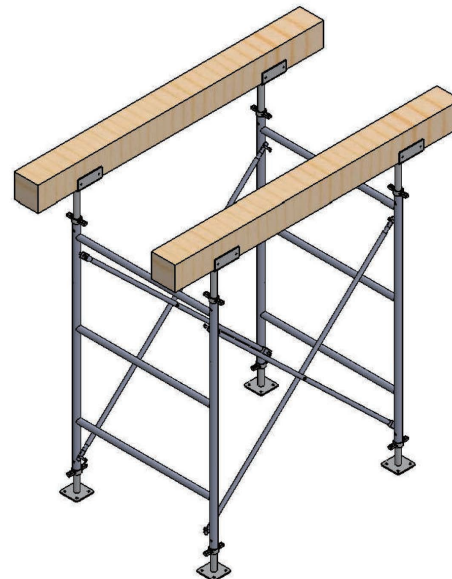
Step 2

Fit the Frames on the jacks, level the frames & connect the braces, lock all the safety pins after connecting the braces.



Step 3

Fit U-head jacks on top of the frames, eccentricity all parallel to frames, U-head jacks extend no more than 600mm.



Step 4

Place beam in the U-head such that load is balanced over frame leg. Lap beams in U-head or turn U-head to ensure single beam is centrally located.

WARNING:

Do not apply eccentric loading on the U-head.
Do not offset the beam.

Prior to concrete pour-An engineer must check that formwork and concrete loads will not exceed H-frame capacity (WLL), and visually inspect and sign off on correct erection of H-frame and formwork.

When adjusting the height of the U-head, only hit the handle, do not hit on the collar nut.

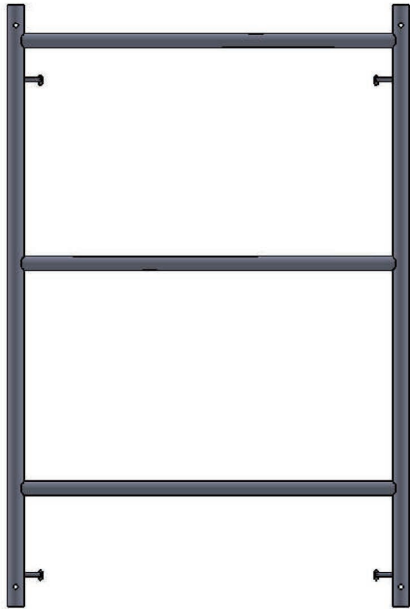
SAFETY USE:

Nut adjustment must be less than 600mm.

EZY SHORE H-SHAPED SHORING SYSTEM

2.1m H-frame

WLL:22KN/Leg

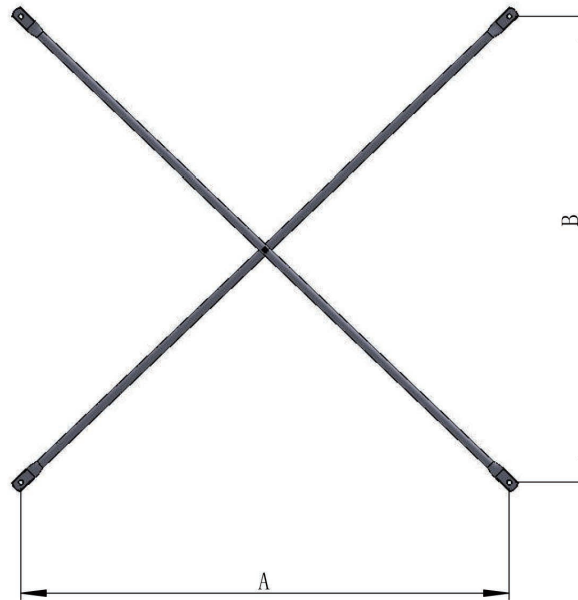


Name	Size
0.9m Frame	900mm
1.0m Frame	1000mm
1.2m Frame	1200mm
1.8m Frame	1800mm
2.1m Frame	2100mm

WARNING:

Do not using bend or damaged frame.

Brace



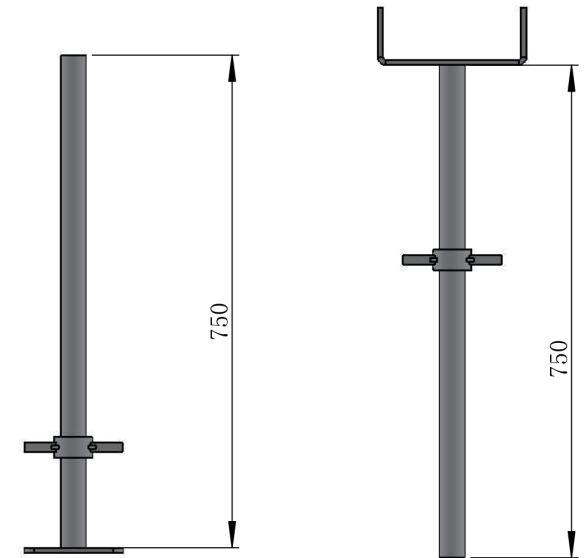
SPAN	Size		
A	1550mm	1550mm	1550mm
B	1480mm	867mm	554mm

WARNING:

Do not using broken or damage brace,
only using the correct size braces to fit in the frames.

Check the nut is tight before using.

Base Jack & U Head Jack



WARNING:

When adjusting the height of the U-head,
only hit the handle,
do not hit on the collar nut.

SAFETY USE:

Nut adjustment must be less than 600mm.

EZY SHORE H-SHAPED SHORING SYSTEM

Connector & Locking Bolt

